

DC/DC converters TESD15 **NEW**



Features

- Class: Industrial, power density up to **2500 W/dm³**
- Low profile 10 mm design
- Working case temperature $-60^{\circ}\text{C} \dots +110^{\circ}\text{C}$, for special order – up to 130°C
- Output power 15 W, for special order – up to 30W
- One, two or three output channels (one of which is galvanically isolated from others)
- Input voltage ranges: 10,5...36 VDC, 18...75 VDC
- Output voltage adjustment, remote on/off
- Max capacitance 1000 μF (for $U_{\text{out}}=5$ VDC, 50% Output power)
- Metal case, with mounting flanges and without flanges

Description

Ultra-compact isolated DC/DC converters (modules) are especially designed for industrial applications and harsh environment operation. These compact units (30 x 20 x 10 mm) have output power up to 30 W and wide operating temperature range between $-60 \dots +110^{\circ}\text{C}$, for special order – up to 130°C .

These modules are available with one or two channels, can be switched on/off by a signal, have full protection complex against over current, shorting and overheating and can be connected in parallel or in series.

These modules are built using especially designed electronic components and sealed with heat-conducting potting material. They have wide operating temperature range and thermal protection chip. These modules undergo special thermal and limit tests, including burn-in-tests with extreme on/off modes. They are available in metal cases with mounting flanges.

Ordering information

TESD 15 - 24W S 12 - U T NEW

1 2 3 4 5 6 7

- 1 - «TESD» Series
- 2 - Output power in the standard version, W
- 3 - Input voltages
 - 12W - 12 VDC (10,5...36 VDC)
 - 24W - 24 VDC (18...75 VDC)
- 4 - Index of output channels quantity
 - S – one
 - D – two
 - T – three
- 5 - Nominal output voltage, VDC (two signs for a channel)
- 6 - Index of case design
 - U – metal case with flanges
 - C – metal case without flanges
- 7 - Index of operating temperature range of the case
 - T –60°C...+110°C (standard version), for special order –60°C...+130°C

Technical information

Standard models with one output

Module	Input voltage range	Output power In the standard version	Output voltage / nominal output current	Typical efficiency ¹
TESD15-12WS05-XX	10,5...36 VDC	15 W	5 VDC / 3 A	79%
TESD15-12WS12-XX			12 VDC / 1,25 A	80%
TESD15-12WS15-XX			15 VDC / 1 A	81%
TESD15-12WS24-XX			24 VDC / 0,63 A	83%
TESD15-12WS27-XX			27 VDC / 0,56 A	83%
TESD15-12WS48-XX			48 VDC / 0,31 A	84%
TESD15-12WS60-XX			60 VDC / 0,25 A	84%
TESD15-24WS05-XX	18...75 VDC	15 W	5 VDC / 3 A	80%
TESD15-24WS12-XX			12 VDC / 1,25 A	81%
TESD15-24WS15-XX			15 VDC / 1 A	83%
TESD15-24WS24-XX			24 VDC / 0,63 A	84%
TESD15-24WS27-XX			27 VDC / 0,56 A	84%
TESD15-24WS48-XX			48 VDC / 0,31 A	84%
TESD15-24WS60-XX			60 VDC / 0,25 A	84%

Standard models with two outputs

Module	Input voltage range	Output power In the standard version	Output voltage / nominal output current	Typical efficiency ¹
TESD15-12WD0505-XX	10,5...36 VDC	15 W	5 VDC / 1,5 A ; 5 VDC / 1,5 A	79%
TESD15-12WD0512-XX			5 VDC / 1,5 A ; 12 VDC / 0,63 A	80%
TESD15-12WD1212-XX			12 VDC / 0,63 A ; 12 VDC / 0,63 A	81%
TESD15-12WD1515-XX			15 VDC / 0,31 A ; 15 VDC / 0,31 A	83%
TESD15-12WD2727-XX			27 VDC / 0,18 A ; 27 VDC / 0,18 A	83%
TESD15-12WD4848-XX			48 VDC / 0,16 A ; 48 VDC / 0,16 A	84%
TESD15-12WD6060-XX			60 VDC / 0,13 A ; 60 VDC / 0,13 A	84%
TESD15-24WD0505-XX	18...75 VDC	15 W	5 VDC / 1,5 A ; 5 VDC / 1,5 A	80%
TESD15-24WD0512-XX			5 VDC / 1,5 A ; 12 VDC / 0,63 A	81%
TESD15-24WD1212-XX			12 VDC / 0,63 A ; 12 VDC / 0,63 A	83%
TESD15-24WD1515-XX			15 VDC / 0,31 A ; 15 VDC / 0,31 A	84%
TESD15-24WD2727-XX			27 VDC / 0,18 A ; 27 VDC / 0,18 A	84%
TESD15-24WD4848-XX			48 VDC / 0,16 A ; 48 VDC / 0,16 A	84%
TESD15-24WD6060-XX			60 VDC / 0,13 A ; 60 VDC / 0,13 A	84%

Standard models with three outputs

Module	Input voltage range	Output power in the standard version	Output voltage / nominal output current	Typical efficiency ¹
TESD15-12WT051212-XX	10,5...36 VDC	15 W	5 VDC/1,5 A ; 12 VDC/0,31 A ; 12 VDC/0,31 A	81%
TESD15-12WT051515-XX			5 VDC/1,5 A ; 15 VDC/0,25 A ; 15 VDC/0,25 A	83%
TESD15-24WT051212-XX	18...75 VDC	15 W	5 VDC/1,5 A ; 12 VDC/0,31 A ; 12 VDC/0,31 A	81%
TESD15-24WT051515-XX			5 VDC/1,5 A ; 15 VDC/0,25 A ; 15 VDC/0,25 A	83%

Modules with non-standard output voltage from 3 to 100 VDC.

¹ - Typical efficiency values are given at nominal input voltage under normal climatic conditions

Specifications for DC/DC converters TESD15 new*

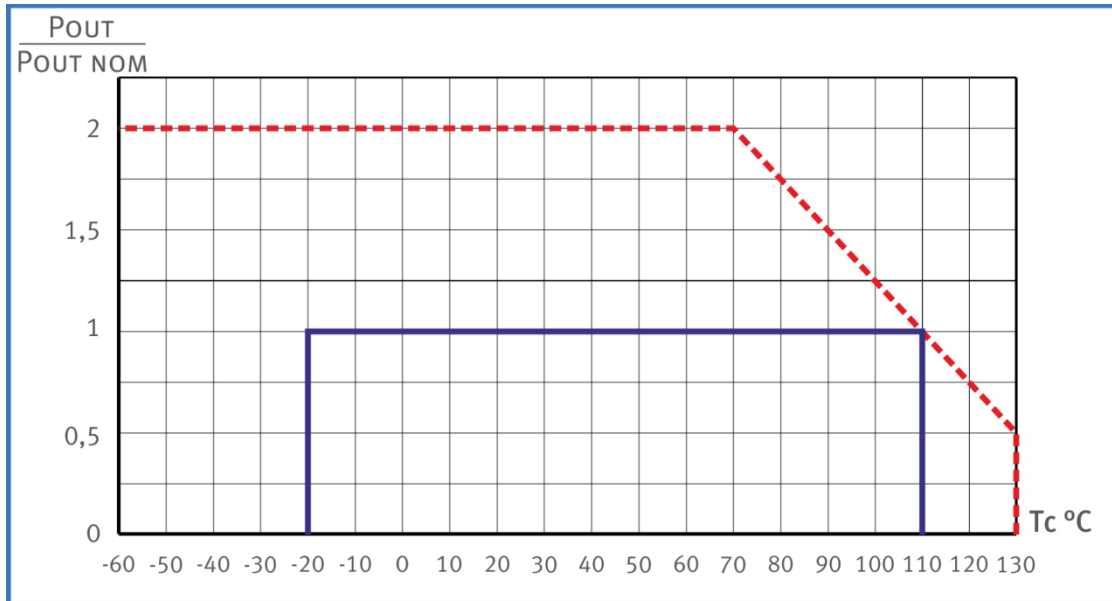
Input specifications	
Input voltage range / transitional deviation, 1 sec 12W	=10,5...36 VDC / =10,5...40 VDC
Input voltage range / transitional deviation, 1 sec 24W	=18...75 VDC / =17...84 VDC
Input filter	P-type
Output specifications	
Output voltage adjustment (single-channel models only)	±5% Uout
Instability of output voltage due to input current change from 10 to 100% (for channel to which feedback is connected)	±2%
Instability of output voltage due to input current change from 30 to 100% for other channels	±12%
Instability of output voltage in accordance to changing of input voltage	±0,5%
Ripple and noise (peak-to-peak) (20 MHz)	<2% Uout
Short circuit protection**	>150% Iout nom, auto repair
Overvoltage protection**	<130 % Uout
Over current protection level**	Pout ... 1.3·Pout
Remote On/Off	Shuts down outputs by applying 0...0,5 VDC or connection of output «ON» and «- IN», I≤5mA
Max capacitance for Uout=5 VDC, 50% Output power***	1000 µF
General specifications	
Case temperature (operating), index T	-60°C ... +110°C, for order +130°C
Case temperature (storage)	-60°C ... +125°C
High humidity	100% @35 °C
Thermal resistance case — environment without heat sink	19,8 °C/W
Conversion frequency	400-500 kHz
Insulation voltage input/output	=1500 VDC
Insulation voltage input/case	=1500 VDC
Insulation voltage output/case	=1000 VDC
Insulation voltage output/output	=500 VDC
Isolation resistance @ 500 VDC	>20 MOhm
EMC standards	EN60068 MIL-STD-810F MIL-STD-461E EN 55022, class A; EN 55022, class B with additional filter
Safety standards	IEC/ EN 60950
Typical MTBF (Tcase = 50°C; Pout = 0,7 Pout max)	200 000 hrs
Cooling metod	Free air convection or forced air cooling
Weight (max)	22 g

* All specifications are valid for normal climatic conditions, Uin.nom., Iout.nom., unless otherwise stated.

** Parameters are stated for the information purposes and could not be used at long term work, exciding maximum output current, at work outside of a range of operating temperatures.

*** For other output voltages the maximum output capacity is calculated from the fact that $C_{max} \times U_{out}^2$ is a constant.

Maximum output power vs ambient temperature



— Allowed power output and case temperature range for standard version of unit.

- - - Possible range of output power and case temperature up to 130°C for special order.

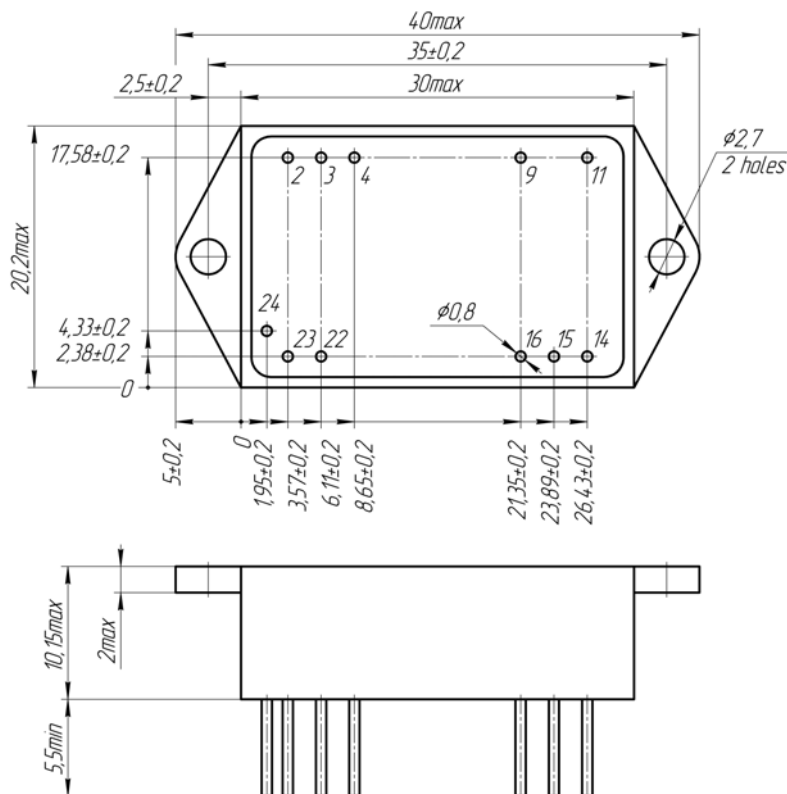
For modeling optimal heatsink and its delivery, with goal of providing allowed case temperatures, please contact us directly aepe@aepe-group.cz

Pin out

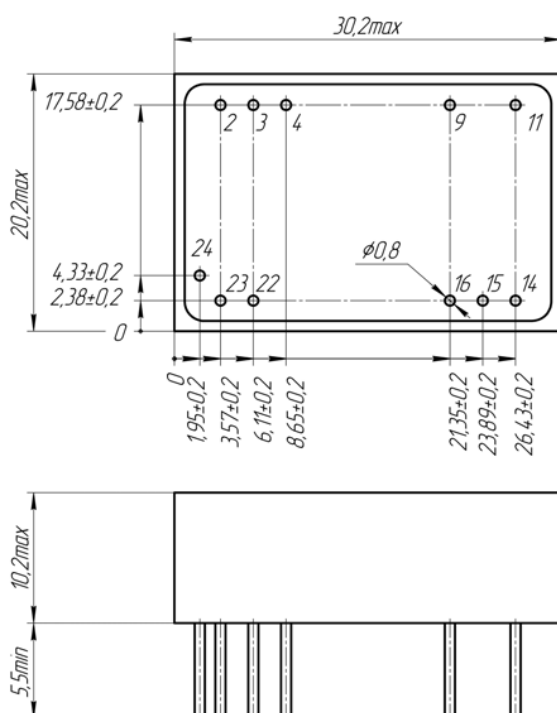
Nº Pin	2,3	4	9	10	11	12	13	14	15	16	22,23	24
Single output	- IN	ON	NOT USE	-	NOT USE	-	-	+OUT	ADJ	-OUT	+IN	CASE
Dual output	- BX	ON	+OUT2	-	-OUT2	+FB	+FB	+OUT1	ADJ-	-OUT1	+IN	CASE
Three output	- IN	ON	-OUT3	FB*	+OUT3	-	-	+OUT2	+OUT1	-OUT1/-OUT2	+IN	CASE

* Feedback for the first or second output channel

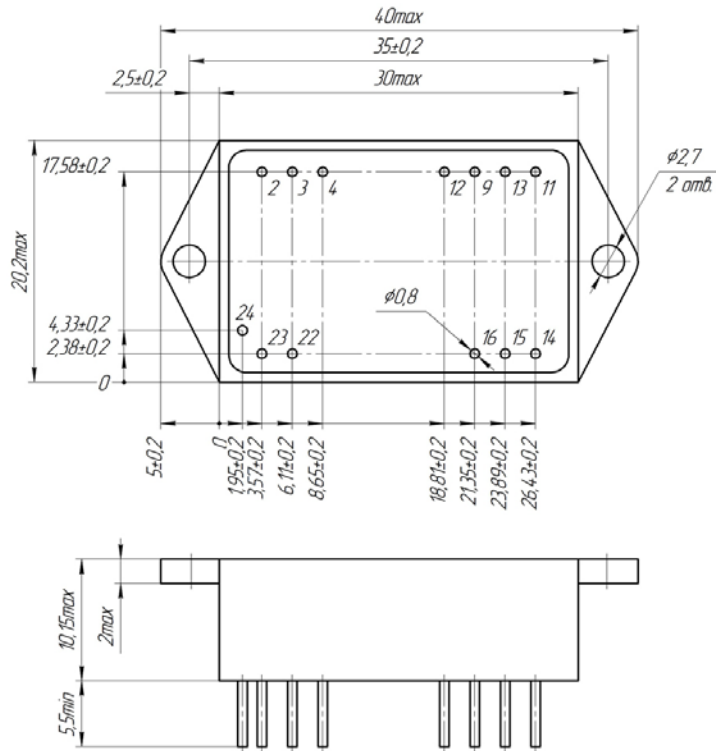
Single output model with flanges (I case type)



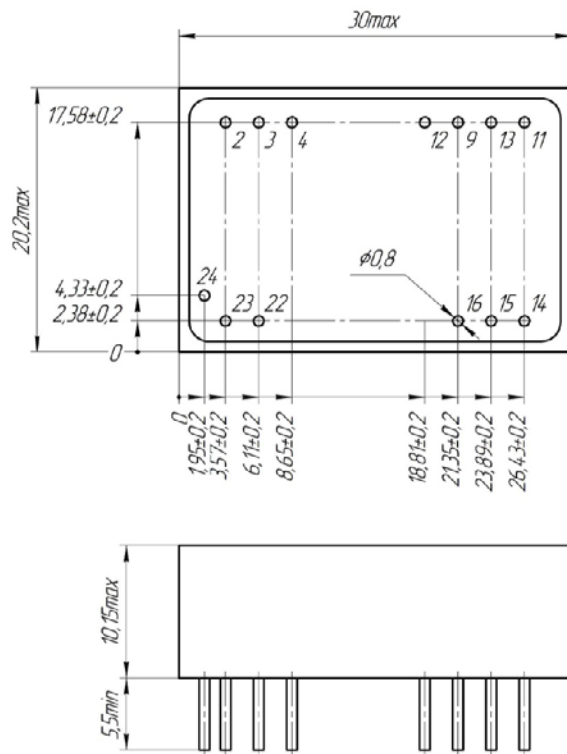
Single output model without flanges (I case type)



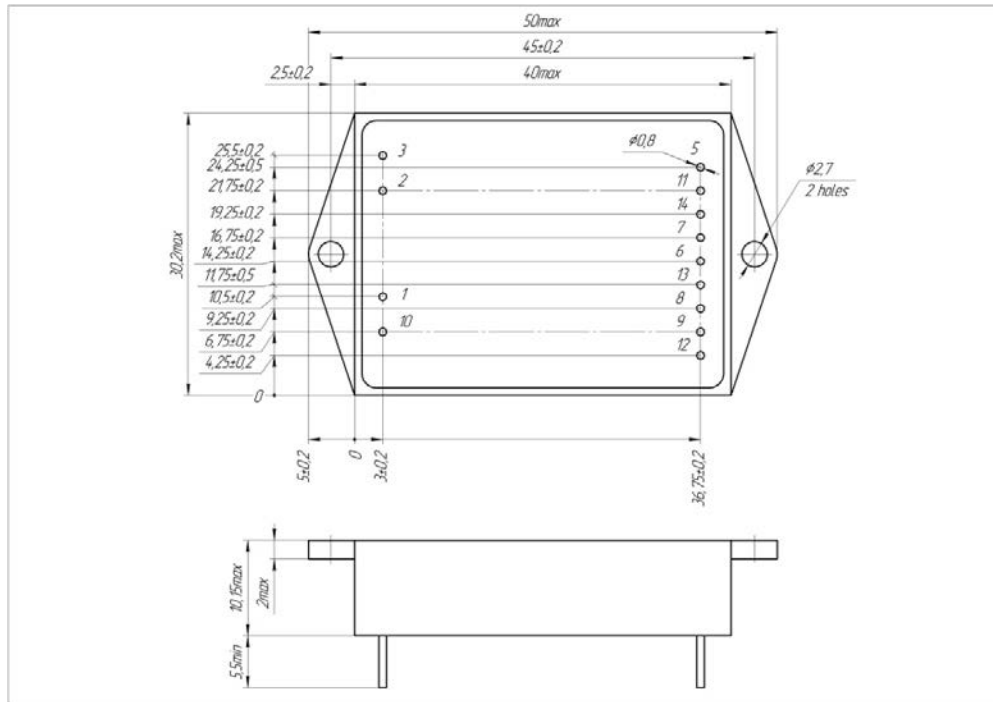
Dual output model with flanges (I case type)



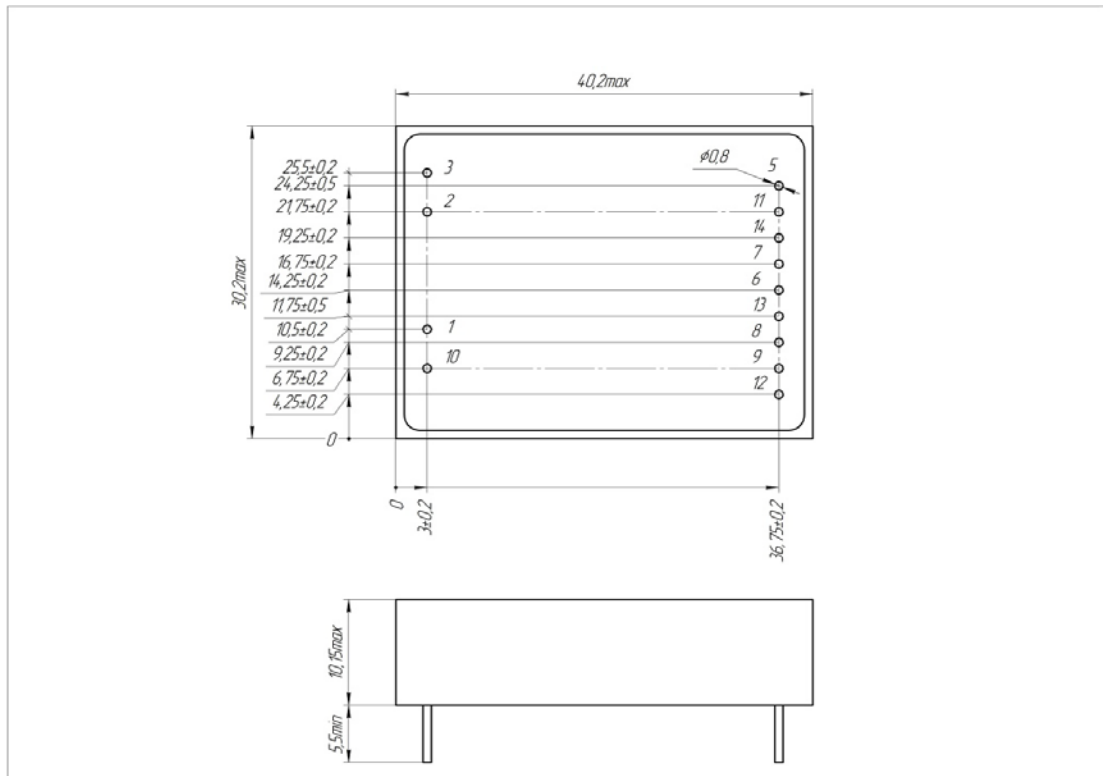
Dual output model without flanges (I case type)



Three output model with flanges (I case type)



Three output model without flanges (I case type)



Certificates

Certificate ISO 9001*
CE conformity declaration

* Management system and R&D of Alexander Electric is ISO certified

Note

The label with sign "remove before use" can be placed on the top surface of the module and must be removed before installation.

Please, note that all information in this material is for reference only. Further detailed information (including: additional requirements, manuals and circuit schemes) is found on our website www.aeps-group.ru.

Contact information

www.aeps-group.ru, e-mail: aeps@aeps-group.cz, phone/fax: +420 281 001 341

According to company's policy in view of constant improvements of the production design the manufacturer reserves the right to itself change the contents of promotional materials without prior notification.