

AC/DC Uninterruptible power supply IBP 300 series



- Operating temperature range from -10°C to +40°C
- Accumulators assembled
- LED display
- RS-232 interface
- Set of protection with automatically return to normal operation
- Parallel operation
- Remote control

Modular uninterruptible power supplies (IBP) of IBP 300 series are designed to build redundant power supply systems for mobile and stationary facilities of industry-class and special-purpose application. IBP include integrated storage batteries and, though compact size, enable extended time of load supply from batteries (**1 hour of continuous operation with load of nominal power $P_{nominal}$ and 5 hours of tinuous operation with load of 0.2 $P_{nominal}$**).

Besides, IBP support parallel operation, modular complexing, remote management and control.

IBP 300 - 24

1 2 3

- 1 - «IBP» Series
- 2 - Maximal output power, W
- 3 - Nominal output voltages, V

Standard models with one output

Module	Output power, W	Output Voltage from Accumulator (s), VDC	Output Voltage from Main Power, VDC	Maximum Discharge current, A		Capacitance, A·h
				1 hour	5 hour	
IBP300-12	300	10...13,6	13,6	22 A	4,4 A	1x42
IBP300-24		20,5...27,2	27,2	10,8 A	2,16 A	2x27
IBP300-48		41,5...54,4	54,4	5,4 A	1,08 A	4x12
IBP300-60		52...68	68	4,3 A	0,86 A	5x12

Technical specifications for AC/DC power supplies IBP 300 *

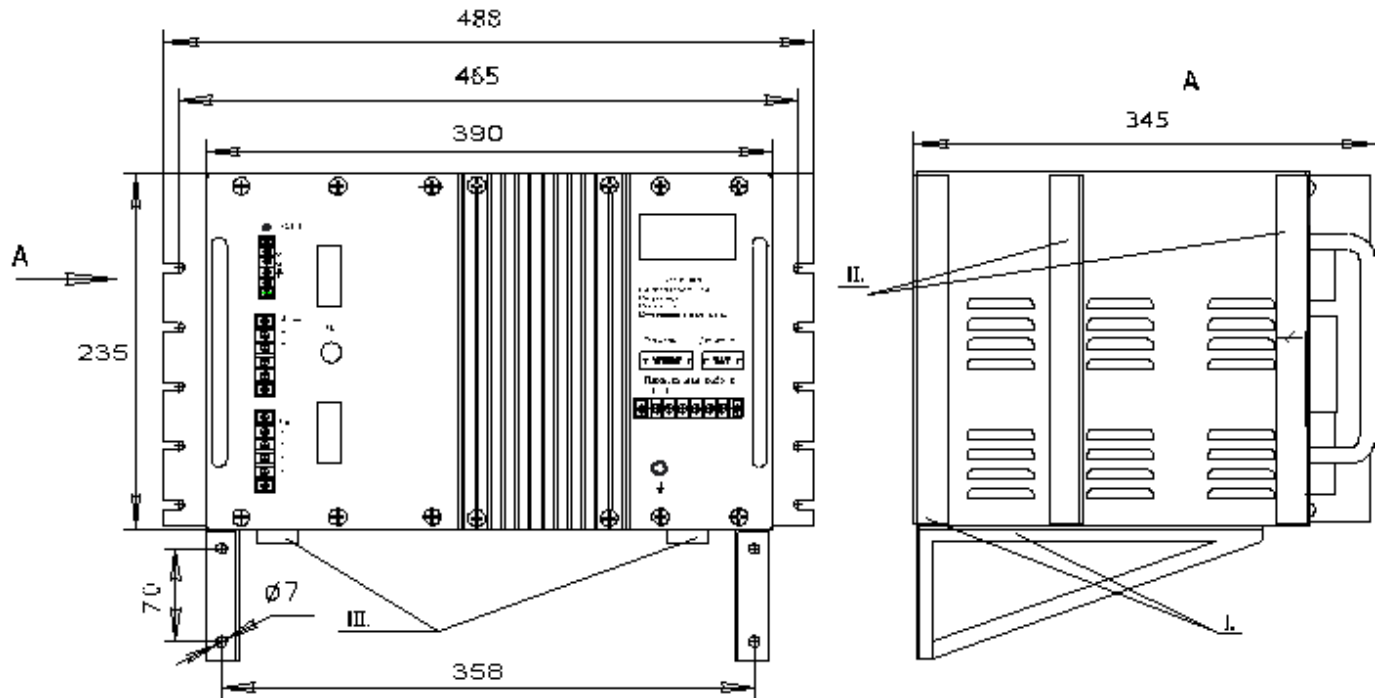
Input specifications	
Range of an input voltage	~ 220VAC, 400Hz
- The established deviation	~ 187 ÷ 242 VAC
- Transitive deviation	~ 176 ÷ 286 VAC
- Duration of a transitive deviation	1 sec.
Output specifications	
Ripple and noise (peak-to-peak)	<2% Uout
Short circuit protection**	Automatic repair in 1 minute
Over current protection**	>115% Uout
General specifications	
Environment ¹ temperature, °C	-10°C...+40°C
Case (storage) temperature, °C	-40°C ...+85°C
Efficiency	78% (typ.)
Conversion frequency	50 kHz (typ.)
Time of a charge of the battery	< 4 hour
Time of the category of the battery	> 1 hour
Withstand volatge	
Input to ground	~ 1500 VAC
Input to output	~ 1500 VAC
Output to ground	~ 500 VAC
Isolation resistance input to ground, input to output, output to ground @ 500 VDC	20 MΩ
External influencing factors stability	
Humidity	80% @ 35°C
Sine wave vibration (durability)	20...25Hz 2g
Output to ground	630...800 mm Hg
MTBF	>10 khrs @ 20°C
Cooling metod	Free air convection
Case material	Metall
Weight	
IBP 300	33 kg

¹ At an ambient temperature from -10 °C up to 0 °C the operating time from the battery can decrease according to temperature factor for the battery.

* All specifications are valid for normal climatic conditions, U_{in}.nom., I_{out}.nom., unless otherwise stated.

** Parameters are stated for the information purposes and could not be used at long term work, exciding maximum output current, at work outside of a range of working temperatures, at module's work with the output voltage over a range of adjustment.

IBP 300



Variant	Fastening of the module
I	to a wall
II	in 19" rack
III	on a floor

Certificates

Certificate ISO 9001*
CE conformity declaration

*Management system and R&D of Alexander Electric is ISO certified

Note

Please, note that all information in this material is for reference only. Further detailed information (including: additional requirements, manuals and circuit schemes) is found on our website <http://www.aeps-group.ru>.

Contact information

<http://www.aeps-group.ru>, e-mail: aeps@aeps-group.cz, phone/fax: +420 266 107 303

According to company's policy in view of constant improvements of the production design the manufacturer reserves the right to itself change the contents of promotional materials without prior notification.